

# GENERAL DIMENSIONS

Tulsa, Oklahoma

for

Q-4240L

2-3/4" to 3-3/8" x 4-1/2"

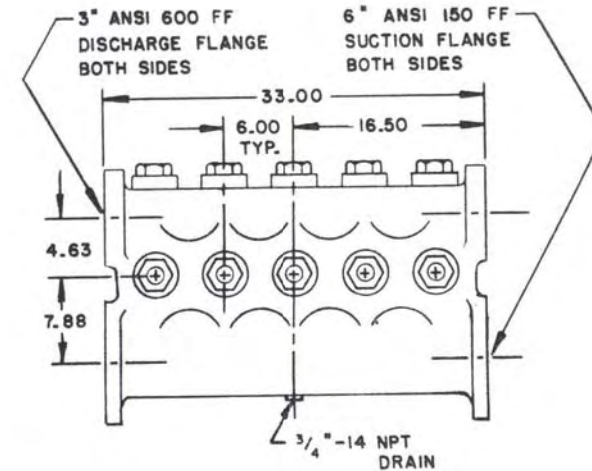
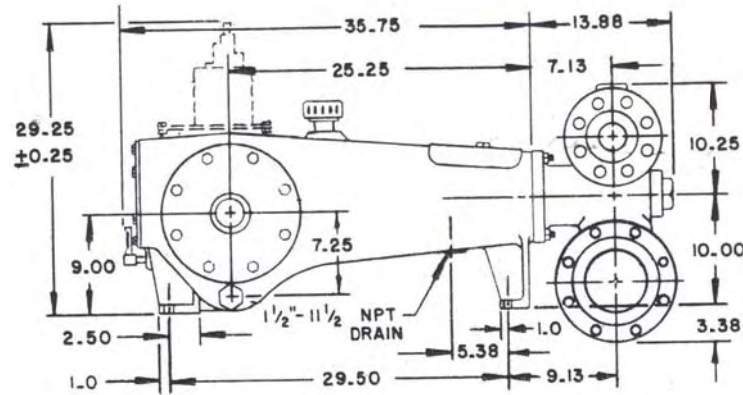
QUINTUPLEX PLUNGER PUMP

( LEFT HAND DRIVE - ENGLISH UNITS )

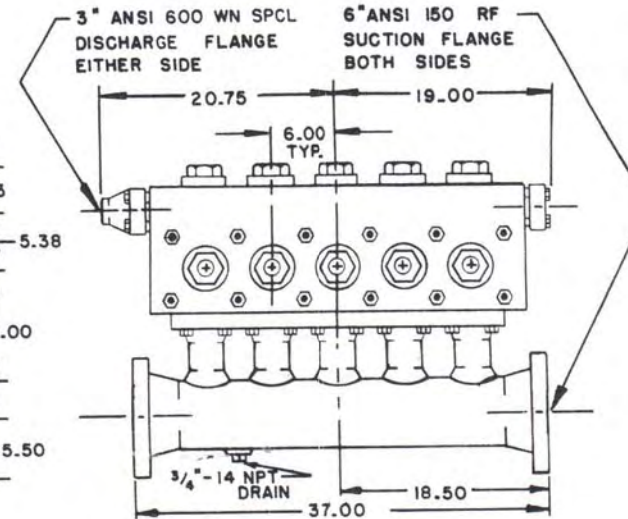
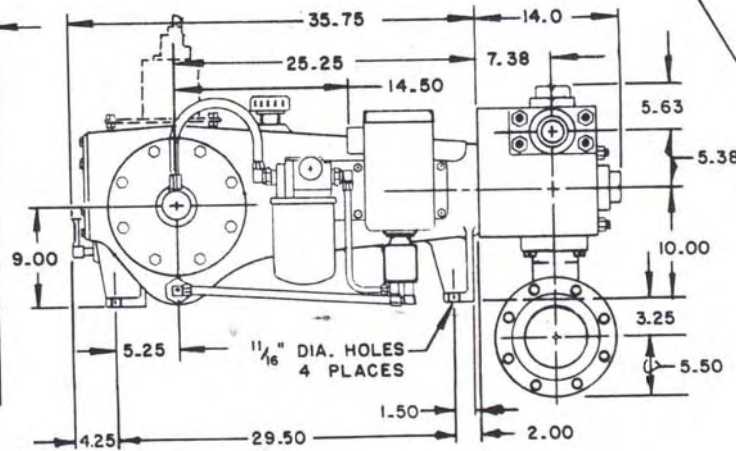
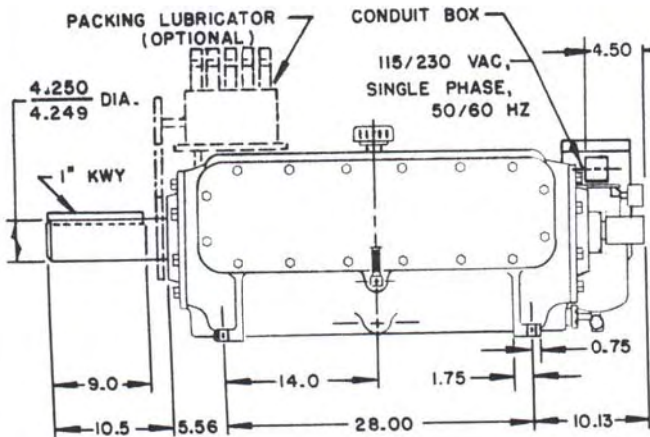
NOTE 1 - ALL DIMENSIONS ARE IN INCHES.

NOTE 2 - FOR INSTALLATION PURPOSES - TOLERANCE ON ALL DIMENSIONS

IS  $\pm 0.13$  INCH UNLESS OTHERWISE NOTED.



**CAST FLUID END**



**FORGED FLUID END**