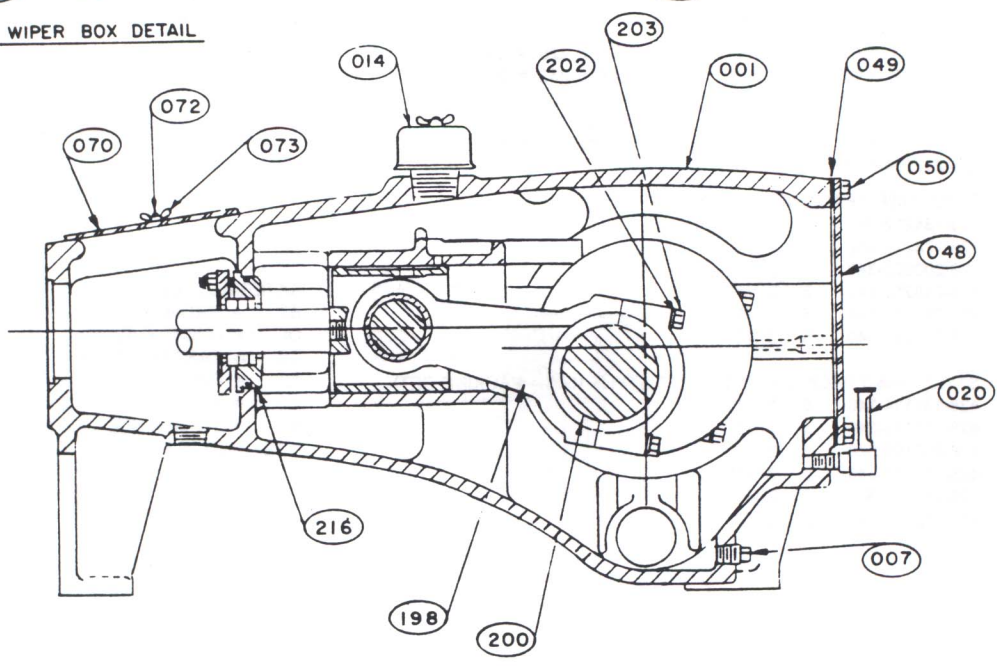


WIPER BOX DETAIL



**BGS HP-165  
POWER END PARTS LIST**

| <b>ITEM NO.</b> | <b>PART NUMBER</b> | <b>REQ'D QTY</b> | <b>PART DESCRIPTION</b> |
|-----------------|--------------------|------------------|-------------------------|
| 001             | BGS 008-024179-350 | 1                | POWER FRAME             |
| 007             | BGS 170-012005-353 | 1                | PIPE PLUG, MAGNETIC     |
| 014             | BGS 001-013059-999 | 1                | FILTER/BREATHER CAP     |
| 020             | BGS 001-010803-999 | 1                | OIL LEVEL SITE GLASS    |
| * 040           | BGS 001-023575-282 | 1                | EXTENSION GUARD         |
| * 041           | BGS 154-014049-220 | 2                | LOCK WASHER             |
| * 042           | BGS 113-014038-220 | 2                | MACHINE SCREW           |
| 048             | BGS 001-024270-231 | 1                | CRANKCASE COVER         |
| 049             | BGS 001-024271-204 | 1                | CRANKCASE GASKET        |
| 050             | BGS 100-038034-286 | 16               | CAP SCREW               |
| 066             | BGS 170-114003-220 | 1                | PIPE PLUG               |
| 070             | BGS 001-024269-220 | 1                | CRADLE COVER            |
| 072             | BGS 104-038100-286 | 1                | STUD                    |
| 073             | BGS 187-038016-286 | 2                | WING NUT                |
| 105             | BGS 008-024182-351 | 1                | CRANKSHAFT              |
| 109             | BGS 146-034500-236 | 1                | KEY                     |
| 125             | BGS 002-024251-999 | 2                | CENTER MAIN BEARING     |
| 126             | BGS 241-038114-273 | 2                | SET SCREW               |
| 135             | BGS 120-325066-999 | 2                | END MAIN BEARING        |
| 141             | BGS 002-023230-359 | 2                | BEARING HOUSING         |
| 142             | BGS 110-000272-200 | 2                | O-RING                  |
| 154             | BGS 100-058112-286 | 12               | CAP SCREW               |
| 157             | BGS 145-318418-999 | 2                | OIL SEAL                |
| 198             | BGS 004-023120-359 | 5                | CONNECTING ROD & CAP    |
| 200             | BGS 002-028392-999 | 5                | SHELL BEARING           |
| 202             | BGS 154-058108-220 | 10               | LOCK WASHER             |
| 203             | BGS 100-058314-273 | 10               | CAP SCREW               |
| 211             | BGS 001-023129-302 | 5                | BRONZE BUSHING          |
| 212             | BGS 004-023127-359 | 5                | CROSSHEAD               |
| 213             | BGS 001-023128-236 | 5                | WRIST PIN               |
| 216             | BGS 002-025366-237 | 5                | WIPER BOX               |
| 217             | BGS 110-000248-201 | 5                | O-RING                  |
| 219             | BGS 145-158238-999 | 15               | PONY ROD SEAL           |
| 221             | BGS 002-025365-231 | 5                | GLAND                   |
| 222             | BGS 104-038134-286 | 10               | STUD                    |
| 223             | BGS 150-038016-306 | 10               | LOCK NUT                |
| * 263           | BGS 001-004837-282 | 1                | LUBRICATION NAMPLATE    |
| * 264           | BGS 126-004014-405 | 4                | DRIVE SCREW             |
| 276             | BGS 998-810000-037 | 1                | SHIM GASKET KIT         |

**BGS HP-165  
POWER END PARTS LIST**

| <u>ITEM NO.</u>                | <u>PART NUMBER</u> | <u>REQ'D QTY</u> | <u>PART DESCRIPTION</u>                                                           |
|--------------------------------|--------------------|------------------|-----------------------------------------------------------------------------------|
| <b>OPTIONAL PARTS AND KITS</b> |                    |                  |                                                                                   |
| * 125                          | BGS 002-028504-999 | 2                | MAIN BEARING<br>(0.040" UNDERSIZE)                                                |
| * 220                          | BGS 002-028393-999 | 5                | SHELL BEARINGS:<br>(0.010" UNDERSIZE)<br>(0.020" UNDERSIZE)<br>(0.040" UNDERSIZE) |
|                                | BGS 002-028394-999 | 5                |                                                                                   |
|                                | BGS 002-028395-999 | 5                |                                                                                   |
| * 2122                         | BGS 998-810000-002 | 5                | CONNECTING ROD KIT<br>(CONSISTS OF ITEM: 198,<br>202, 203, 211)                   |
| * 9030                         | BGS 998-816500-010 | 1                | PACKING LUBRICATOR KIT<br>(LHD)                                                   |
| * 9031                         | BGS 998-816500-011 | 1                | PACKING LUBRICATOR KIT<br>(RHD)                                                   |
| * 9049                         | BGS 998-810000-036 | 5                | WIPER BOX KIT (CONSISTS<br>OF TIEMS: 221, 222 & 223)                              |
| * 9050                         | BGS 998-816500-038 | 1                | POWER END GASKET KIT<br>(CONSISTS OF ITEMS: 049<br>157, 217 & 276)                |

\* NOT SHOWN ON PARTS DRAWING

\*\* OMIT WHEN PACKING  
LUBRICATOR IS USED

NOTE: WHEN ORDERING PARTS,  
GIVE:

- 1) PUMP SERIAL NUMBER
- 2) PUMP MODEL NUMBER
- 3) PART NUMBER
- 4) QUANTITY
- 5) PART NAME
- 6) ITEM NUMBER